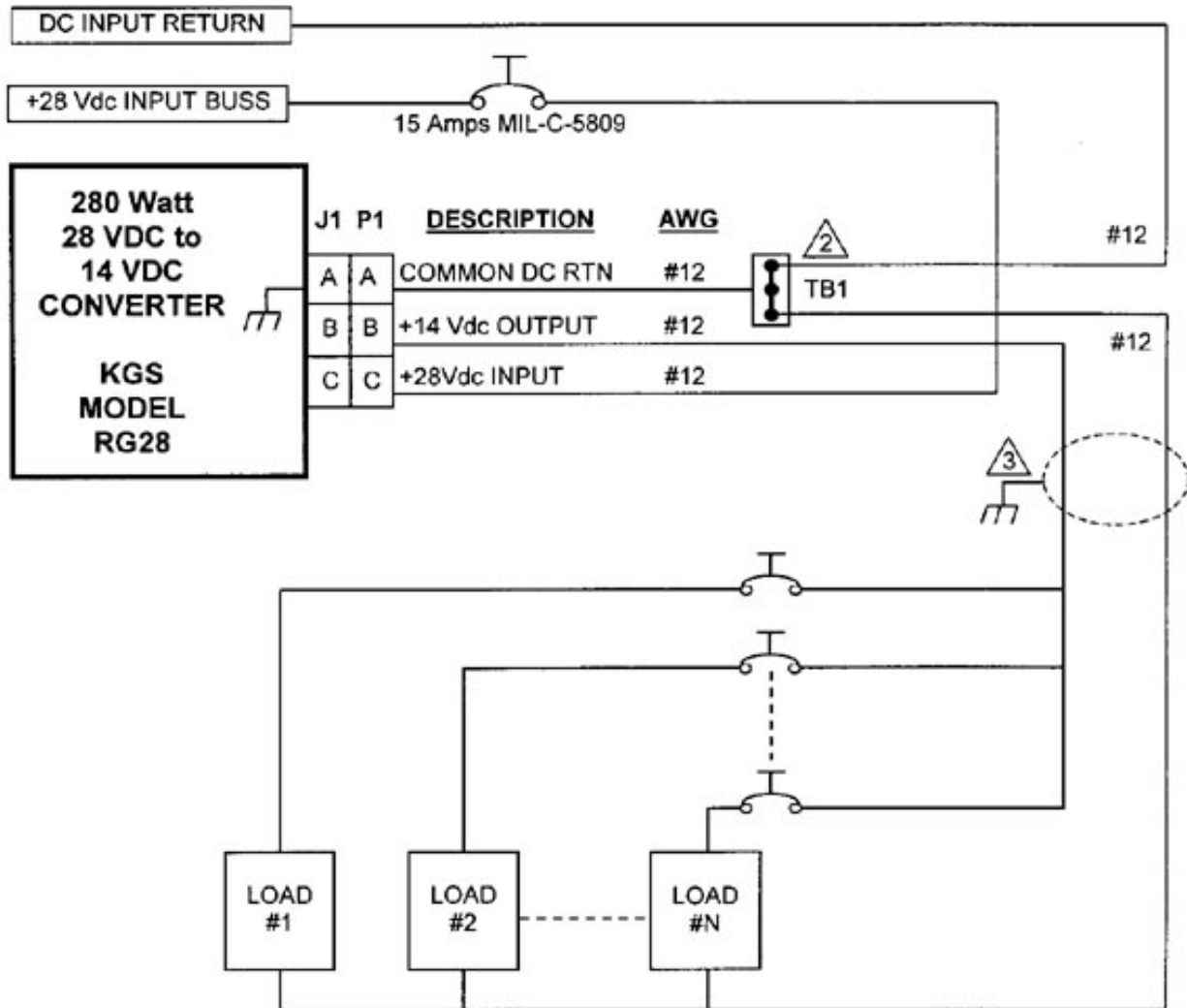


RG28

TSO'd REGULATED DC-DC POWER CONVERTER
(28 to 14Vdc High Power DC Converter)

External Wiring



NOTE

1.  J1 mates with MS3106A16-10S or Equivalent.
2.  The TB1 should be located close to the unit. Alternatively, the common dc return can be left open (pin A and TB1 connections may be eliminated) if case grounding is solely used for the return current.
3.  Shielded wire is recommended to minimize radiated emission.
4.  The input circuit breaker should be selected based on the actual loading and wire size used.

kgs

electronics

418 East Live Oak Avenue, Arcadia CA 91006-5619 USA ■ Phone: 626-574-1175 ■ Fax: 626-574-0553 ■ info@kgselectronics.com