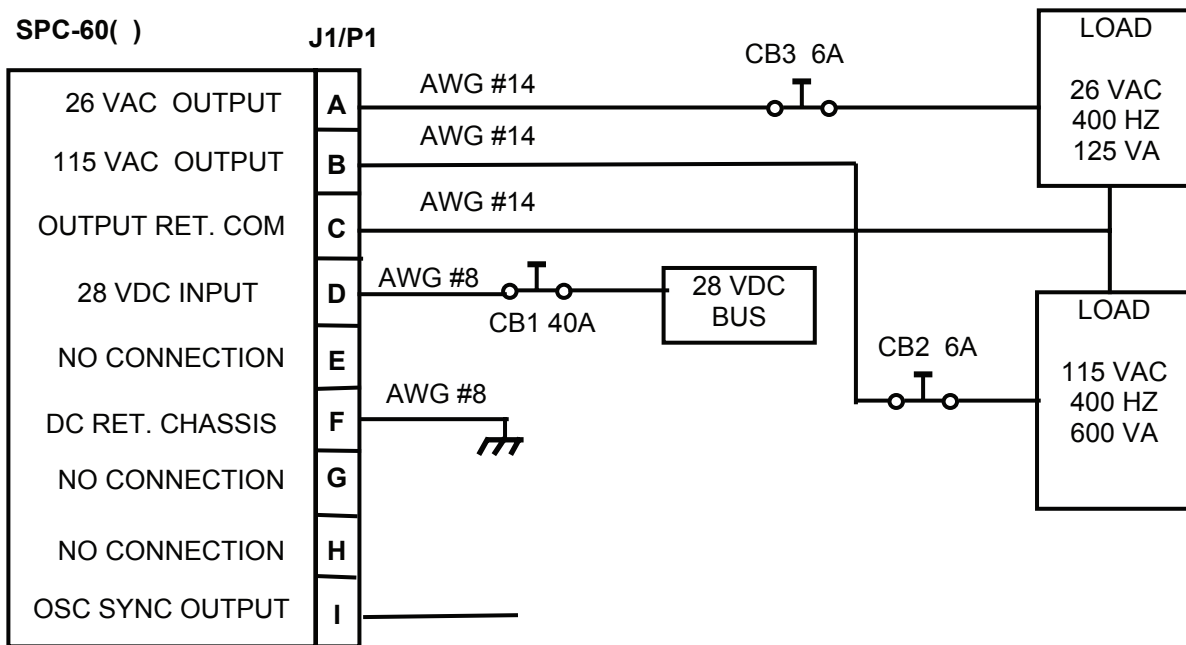


SPC-60() Series

TSO'D 400HZ STATIC INVERTER
600 AND 750 VA

External Wiring



NOTES:

- (1) CB 1; 40 Amp CIRCUIT BREAKER P/N 41-3-S14-LN2 - 40 Amp by ETA or equivalent.
- (2) CB 2 & 3 6 Amp CIRCUIT BREAKER P/N 41-2-S14-LN2-6 Amp by ETA or equivalent.
- (3) The rating of all above circuit breakers shall be adjusted according to the actual loading.

kgs

electronics

418 East Live Oak Avenue, Arcadia CA 91006-5619 USA ■ Phone: 626-574-1175 ■ Fax: 626-574-0553 ■ info@kgselectronics.com