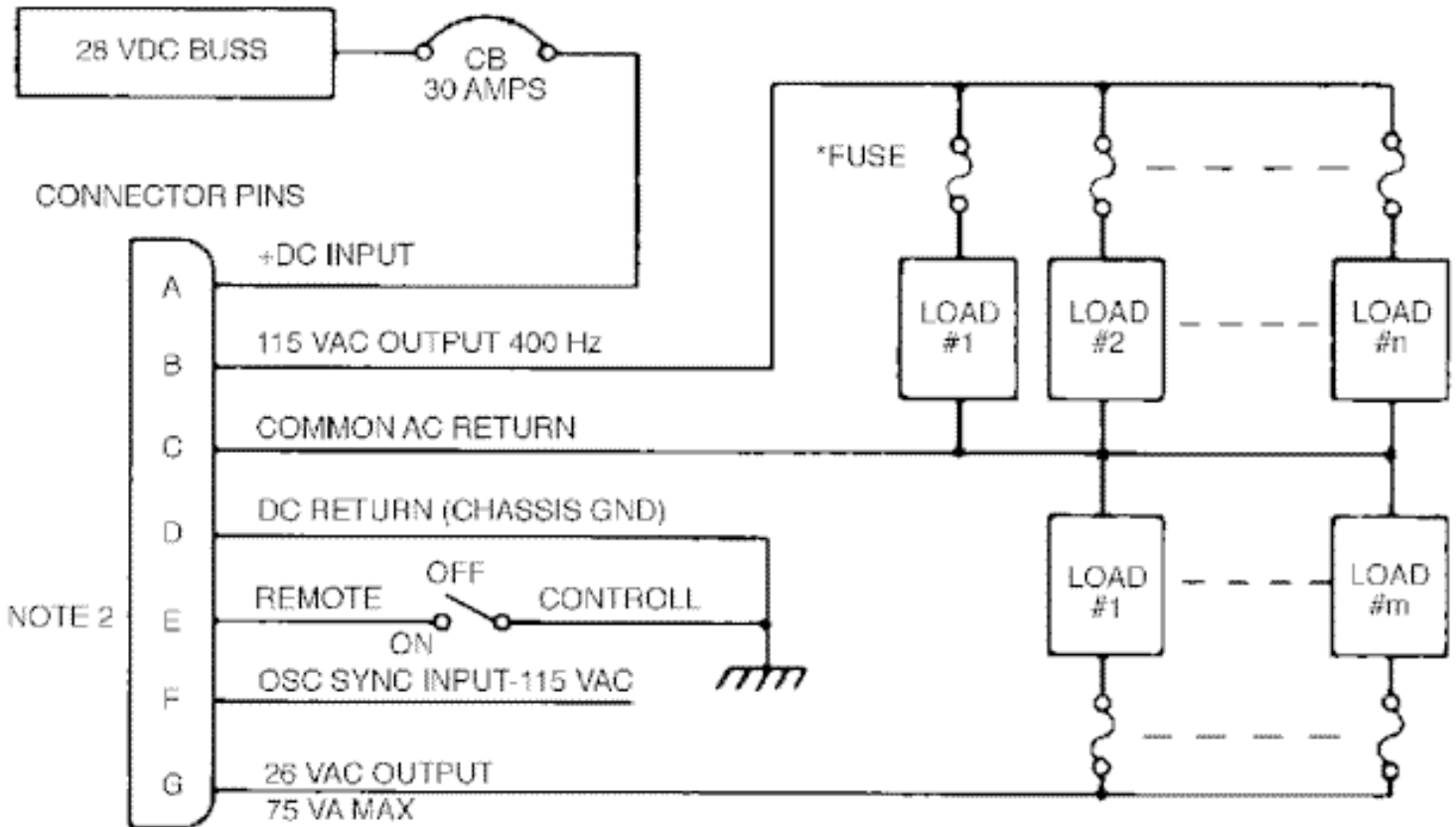


SPC-30() Series

TSO'D 400HZ STATIC INVERTER
300 VA

External Wiring



FAULT CLEARANCE CAPABILITY OUTPUT SHORT-CIRCUIT
CURRENT BURST OF 6 AMPS RMS FOR .6 SECOND ON AND .6 SECONDS OFF
CAPABLE OF TRIPPING 1 1/2 AMP THERMAL TYPE CIRCUIT BREAK.

*RATING OF PROTECTIVE ELEMENT
SHOULD CLEAR IN THE EVENT OF A
LOAD SHORT.

kgs

electronics

418 East Live Oak Avenue, Arcadia CA 91006-5619 USA • Phone: 626-574-1175 • Fax: 626-574-0553 • info@kgselectronics.com