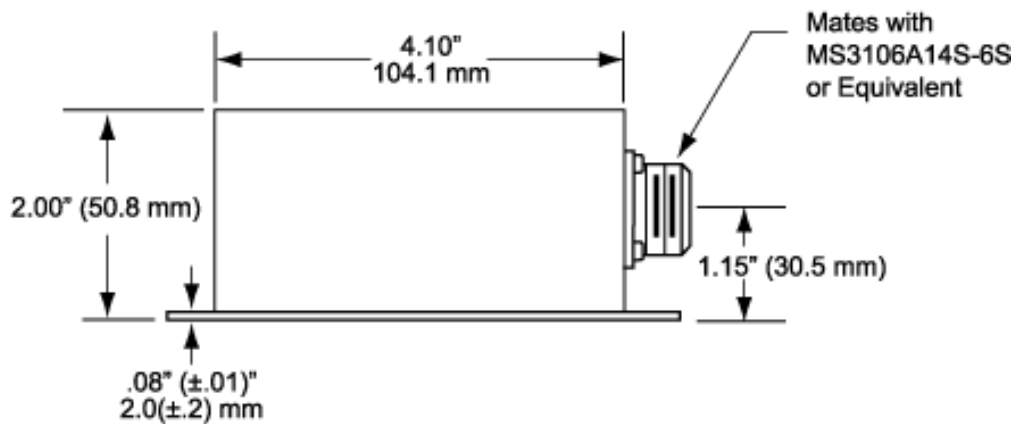
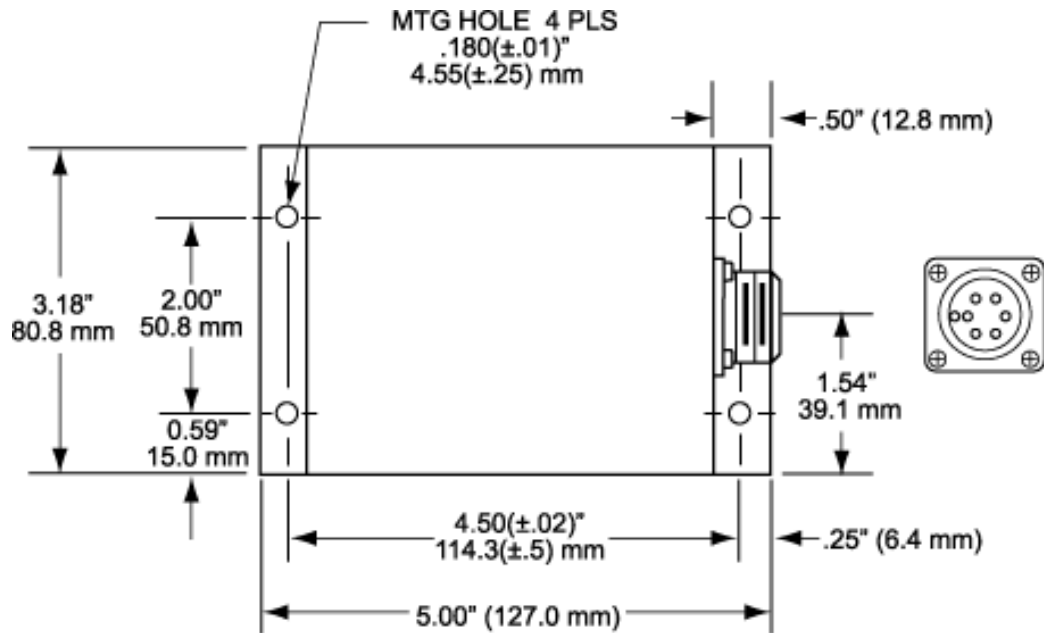


SC3, SC3(A)

TSO'd 30 VA STATIC INVERTER
(28 Vdc to 400Hz Sinewave)

Outline Drawing



NOTES

1. Dimensional tolerance is $\pm 0.06"$ (± 1.52 mm) unless specified.
2. The dimensions shown do not include protrusion of screw heads.

kgs

electronics

418 East Live Oak Avenue, Arcadia CA 91006-5619 USA ■ Phone: 626-574-1175 ■ Fax: 626-574-0553 ■ info@kgselectronics.com