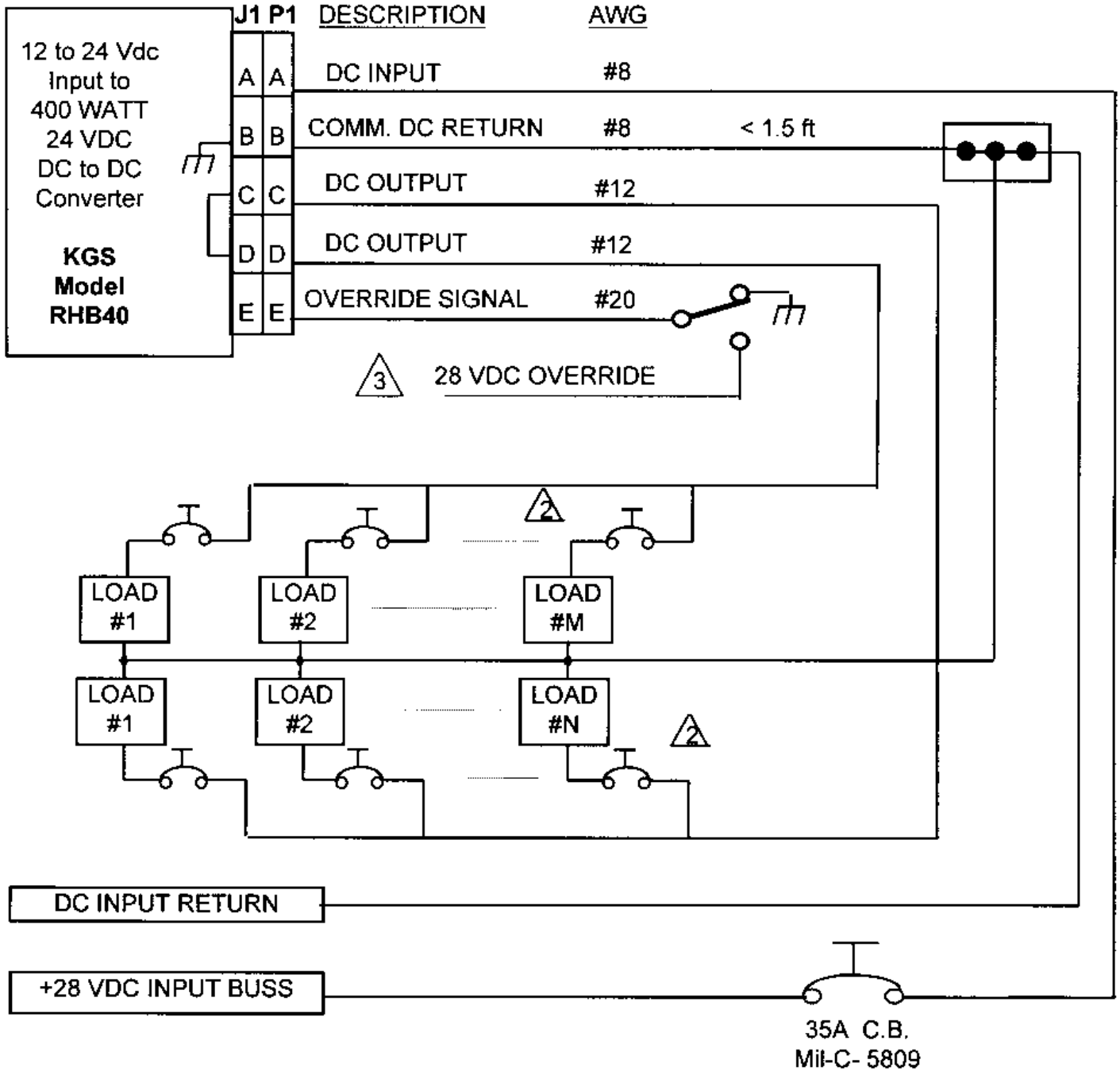


# RHB40

DC/DC Regulated Boost Converter  
Wide Input Voltage Range (8 to 30.5Vdc)

## External Wiring



**electronics**

418 East Live Oak Avenue, Arcadia CA 91006-5619 USA • Phone: 626-574-1175 • Fax: 626-574-0553 • info@kgselectronics.com