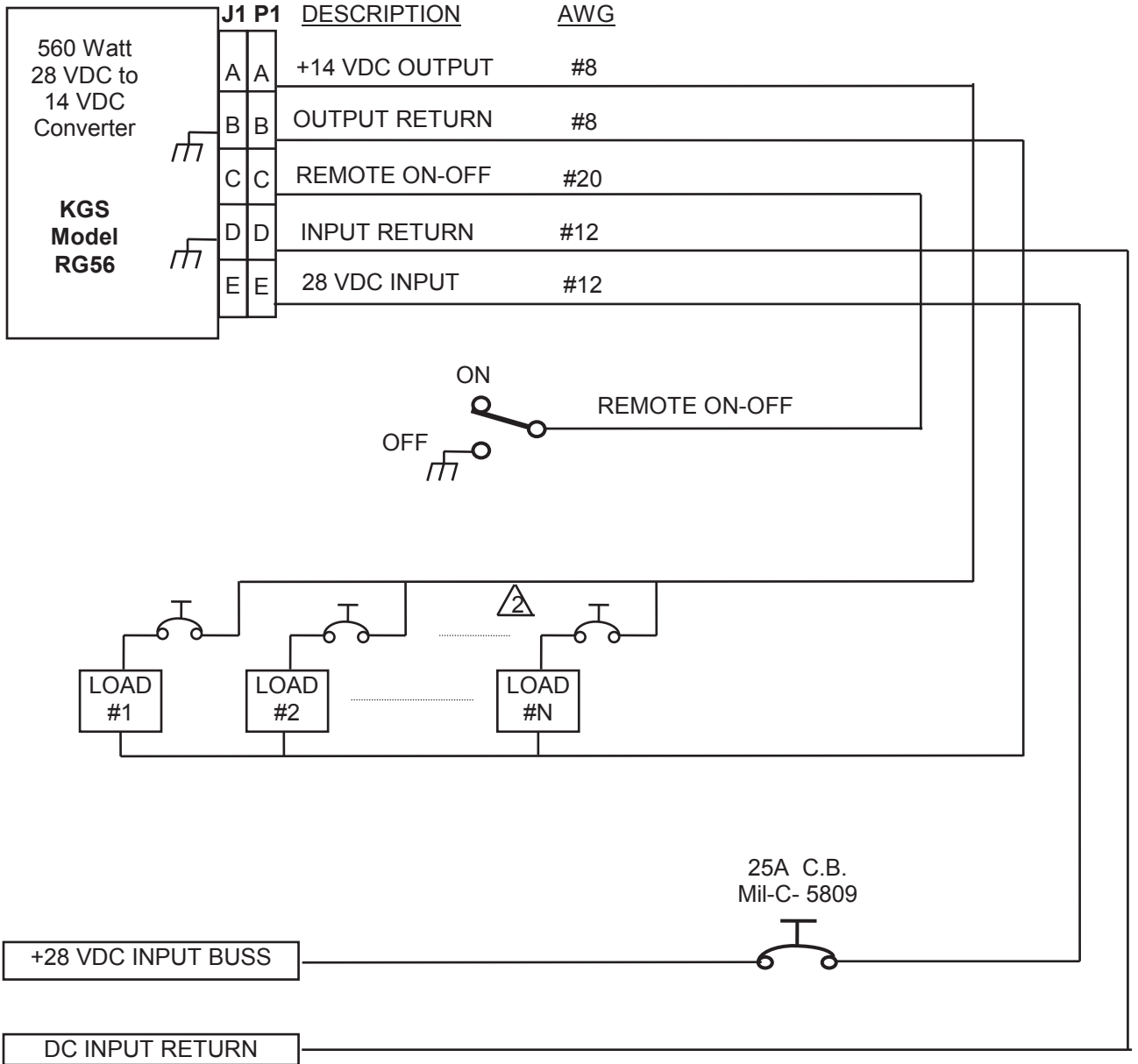


# RG56

TSO'd REGULATED DC-DC POWER CONVERTER  
(28 to 14Vdc High Power DC Converter)

## External Wiring



### NOTES:

- J1 mates with MS3106\*20-14S or the equivalent. Where \* = A, B, E or F
- The rating for each protective element should rupture in the event of output overload or short.

Figure 2 Suggested Hook - Up

**kgs**

**electronics**

418 East Live Oak Avenue, Arcadia CA 91006-5619 USA ■ Phone: 626-574-1175 ■ Fax: 626-574-0553 ■ info@kgselectronics.com