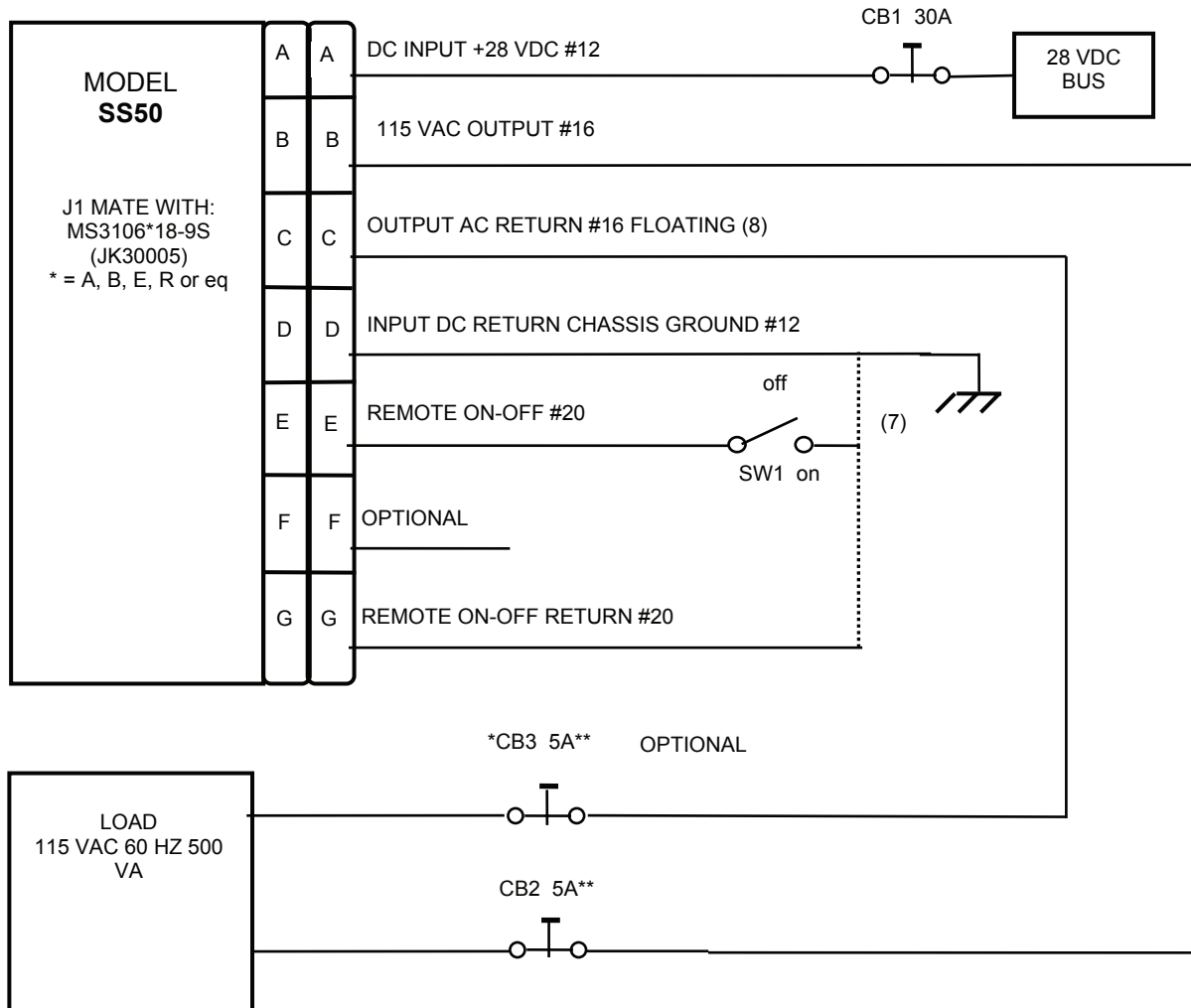


SS50

TSO'd 60Hz Sine Wave Static Power Inverter
500VA - Lightweight

External Wiring



NOTES:

- (1). CB1; 30 Amp circuit breaker P/N 413-K14-LN2-30A by ETA or eq.
- (2). CB2; 5 Amp circuit breaker P/N 483-G533-J3M1-C4S0Z-5A by ETA or eq.
- * (3). CB3; OPTIONAL circuit breaker P/N 483-G533-J3M1-C4S0Z-5A by ETA or eq.
- (4). SW1; On-off switch 1 amp min rating (40 mA actual current).
- ** (5). The rating of all above circuit breakers should be adjusted according to the actual LOAD.
- (6). Shielded wires recommended.
- (7). THE REMOTE ON-OFF SWITCH FROM PIN E HAS AN OPTION OF BEING CONNECTED TO PIN G OR CHASSIS GROUND.
- (8). OUTPUT AC RETURN (PIN C) MAY BE CHASSIS GROUNDED.

kgs

Figure 2 Suggested Hook - Up