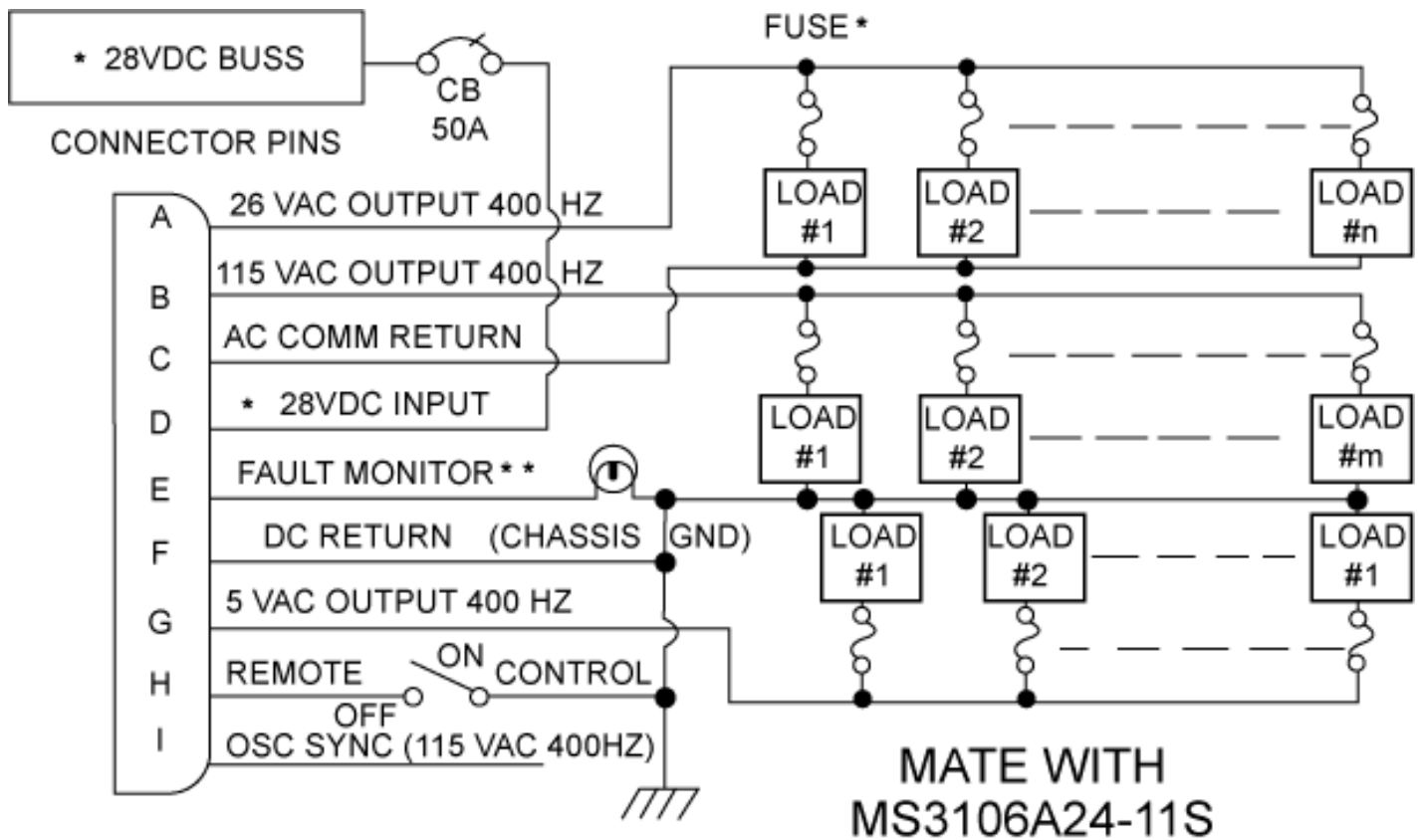


SPC-75()

TSO'D 400HZ STATIC INVERTER
750 VA

External Wiring



NOTES:

1. RATING OF THE PROTECTIVE ELEMENT SHOULD CLEAR IN THE EVENT OF A LOAD SHORT

**2. FAULT MONITOR OUTPUT PROVIDES A FILTERED 27 VDC OUTPUT UP TO .1 AMP WHEN THE INVERTER IS OPERATING NORMALLY. THIS OUTPUT IS NOT AVAILABLE WHEN THE INVERTER IS OFF OR MALFUNCTIONING

kgs

electronics

418 East Live Oak Avenue, Arcadia CA 91006-5619 USA ■ Phone: 626-574-1175 ■ Fax: 626-574-0553 ■ info@kgselectronics.com