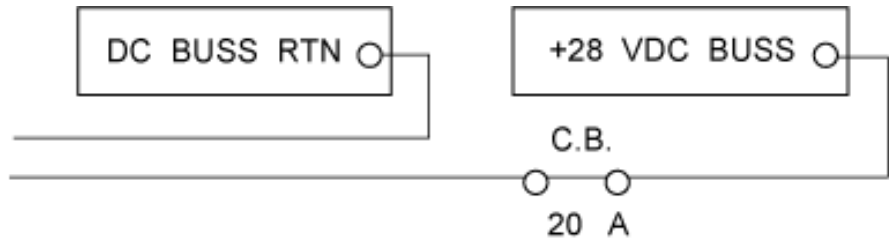


SE25

TSO'D 250 VA THREE PHASE STATIC INVERTER

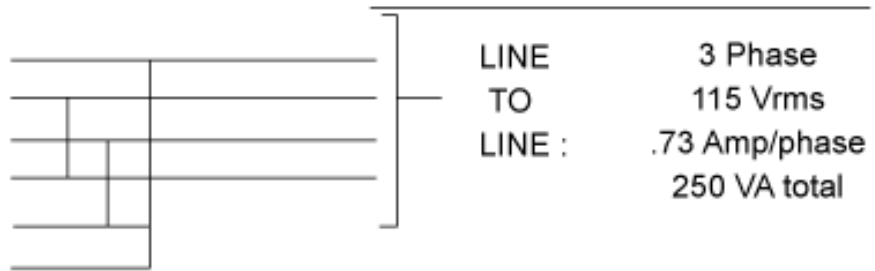
External Wiring

J1	DESCRIPTIONS
E	DC INPUT RTN
F	28 VDC INPUT



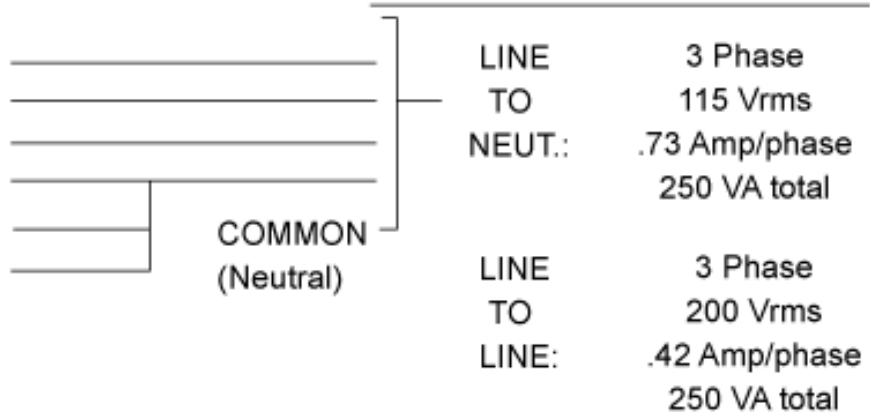
A	115V OUTPUT ϕ A
B	115V OUTPUT ϕ B
C	115V OUTPUT ϕ C
D	OUTPUT RTN ϕ A
H	OUTPUT RTN ϕ B
J	OUTPUT RTN ϕ C
G	NO CONNECTION
K	NO CONNECTION
L	NO CONNECTION

OUTPUT DELTA CONFIGURATION



A	115V OUTPUT ϕ A
B	115V OUTPUT ϕ B
C	115V OUTPUT ϕ C
D	OUTPUT RTN ϕ A
H	OUTPUT RTN ϕ B
J	OUTPUT RTN ϕ C
G	NO CONNECTION
K	NO CONNECTION
L	NO CONNECTION

OUTPUT WYE CONFIGURATION



NOTES:

1. THE RECOMMENDED MATING PLUG TO J1 IS MS3106R24-20S PER MIL-C-5015.
2. AC RETURNS ARE INTERNALLY CONNECTED THROUGH 1 μ F 200V AC CAPACITOR TO CHASSIS GROUND.

