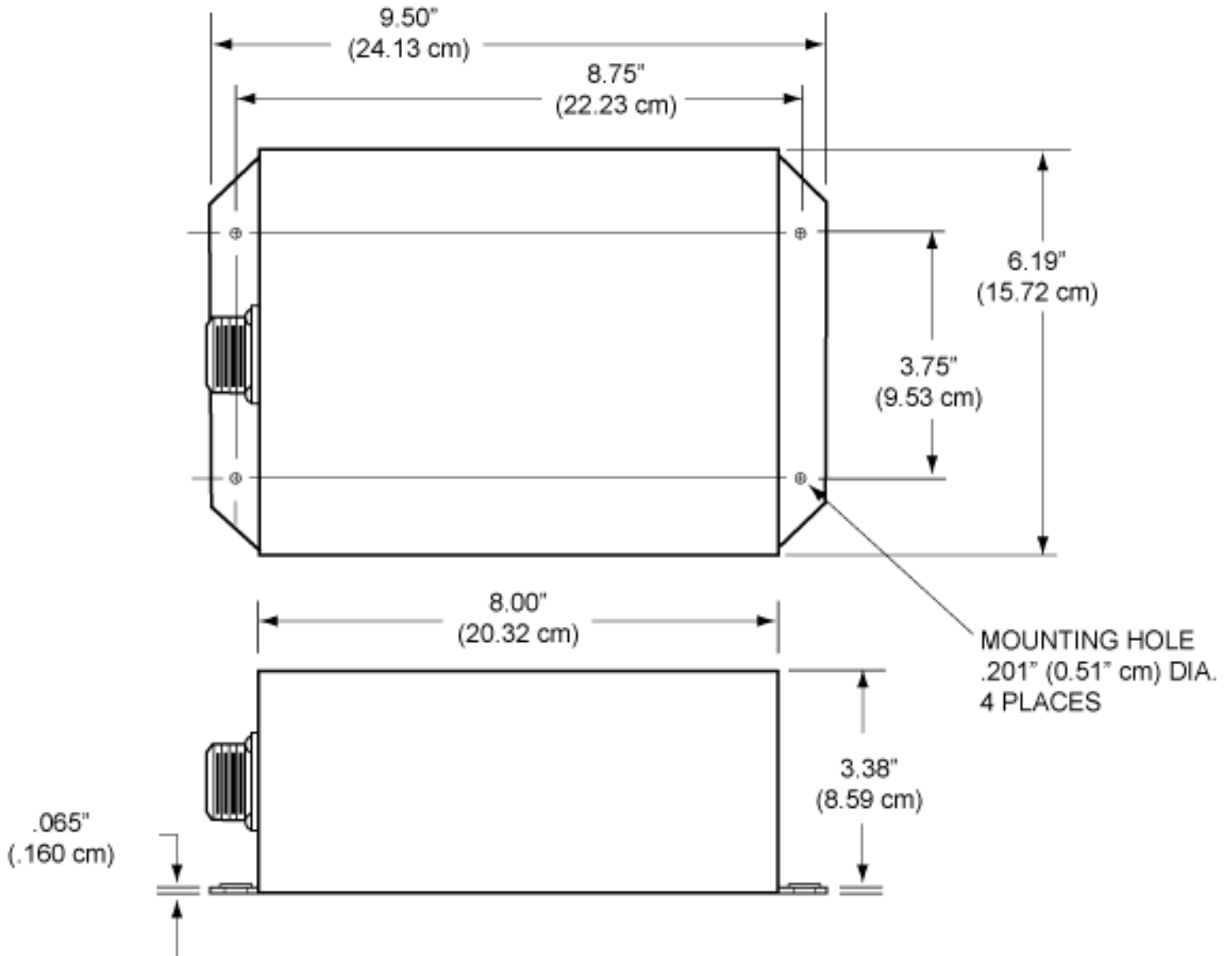


RG40

REGULATED DC TO DC POWER CONVERTER
FAA TSO-C71

Outline Drawing



kgs
electronics

418 East Live Oak Avenue, Arcadia CA 91006-5619 USA ■ Phone: 626-574-1175 ■ Fax: 626-574-0553 ■ info@kgselectronics.com