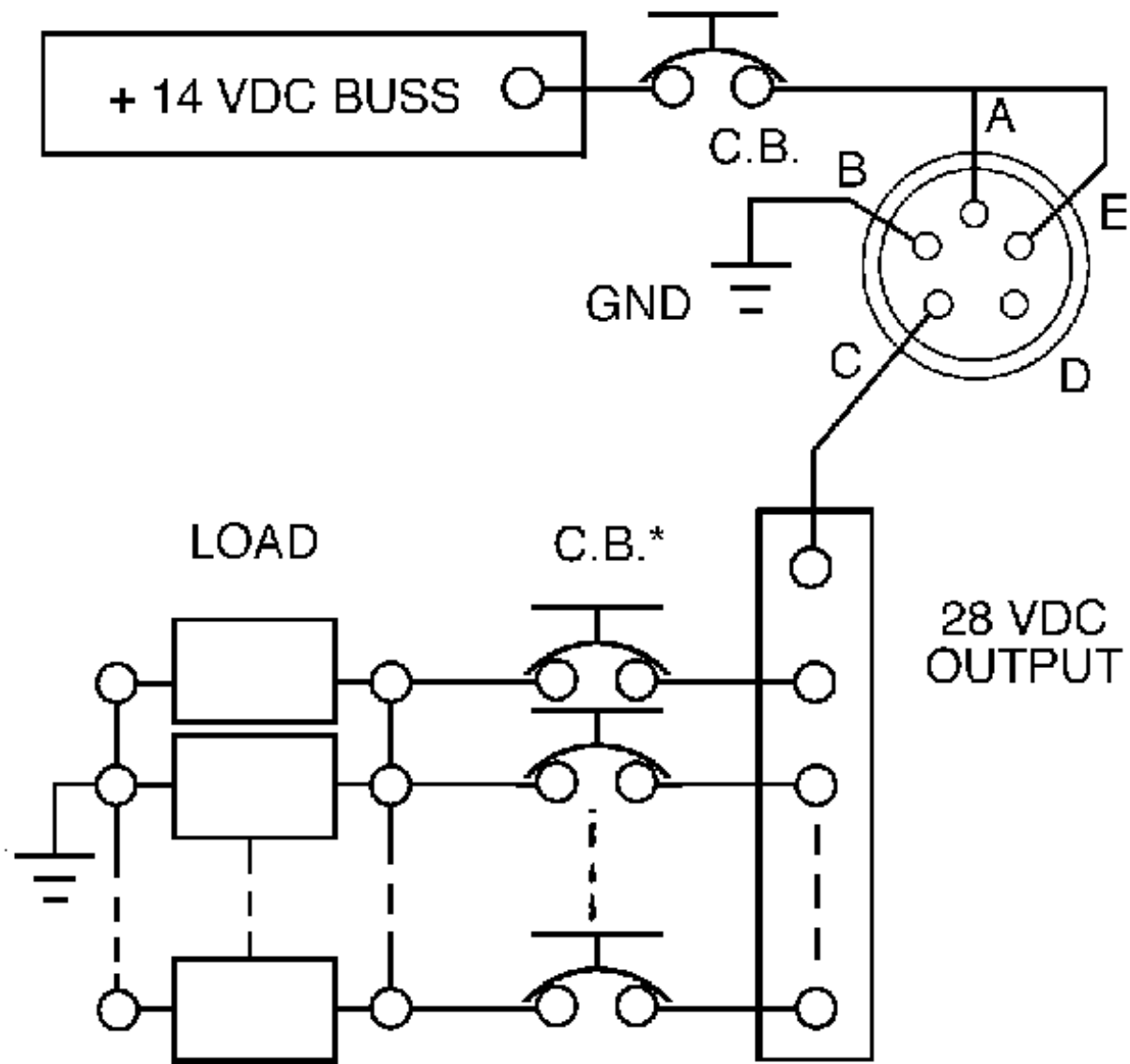


RB125, RB126

REGULATED DC TO DC POWER BOOSTER
FAA TSO-C71

External Wiring



*THE RATING FOR EACH PROTECTIVE ELEMENT SHOULD TRIP OR RUPTURE IN THE EVENT OF OVERLOAD OR SHORT